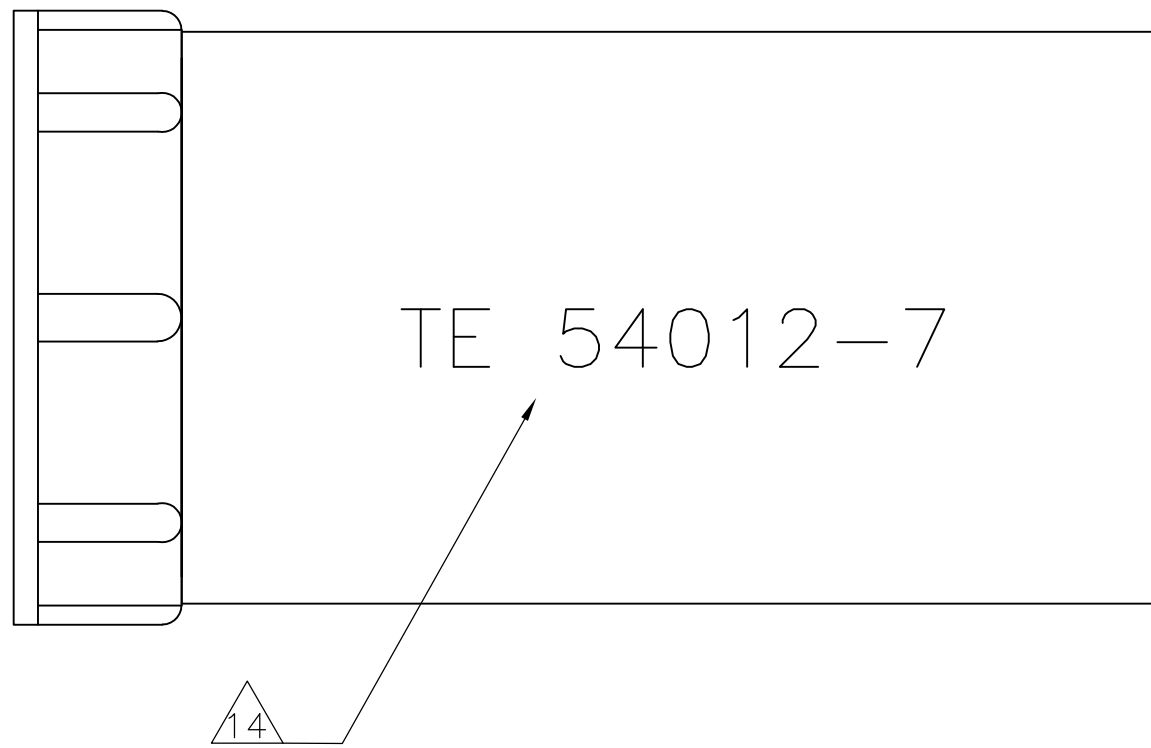
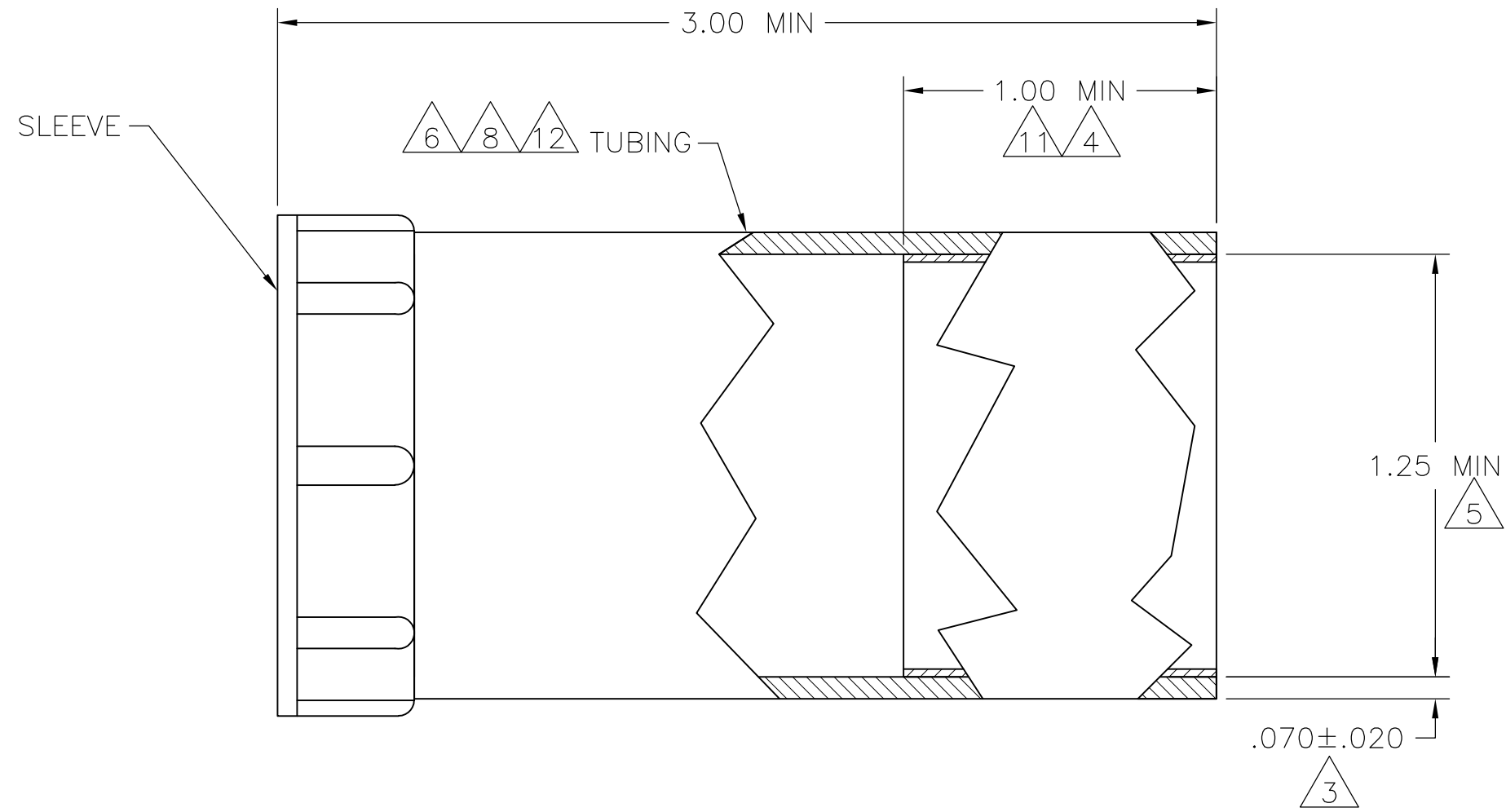
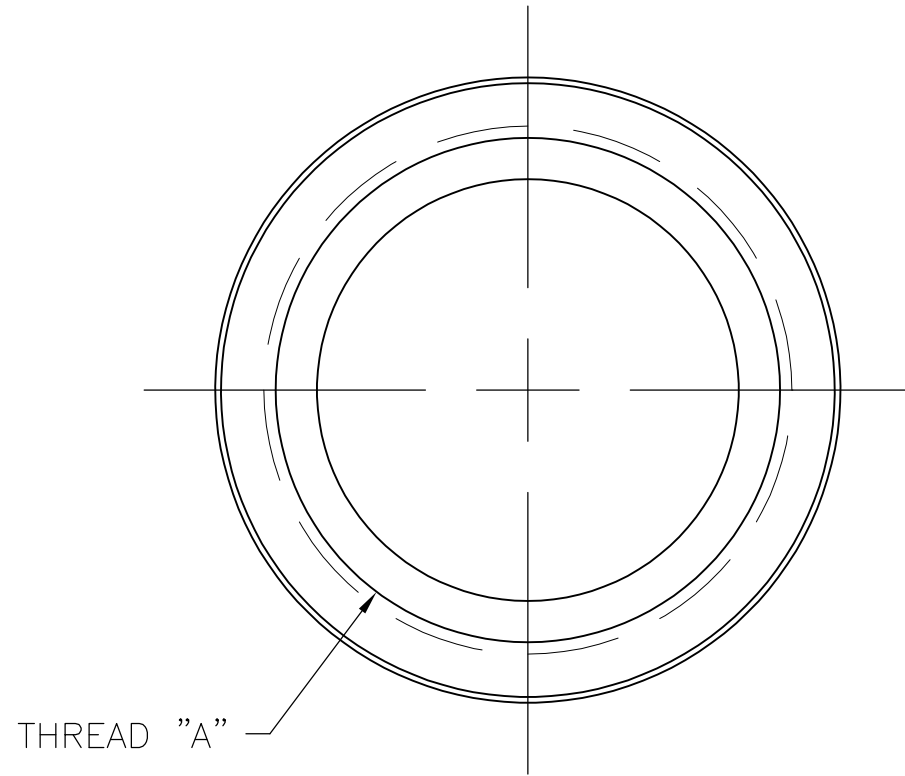


THIS DRAWING IS UNPUBLISHED. RELEASED FOR PUBLICATION
 © COPYRIGHT - By - ALL RIGHTS RESERVED.

LOC		DIST		REVISIONS			
P	LTR	DESCRIPTION		DATE	DWN	APVD	
	V3	REVISED PER ECO-14-008433		05JUN2014	NK	MZ	



- 1 POLYOLEFIN, BLACK.
- 2 NYLON, BLACK.
- 3 NOMINAL WALL THICKNESS, EXPANDED.
- 4 LENGTH OF SEALANT.
- 5 EXPANDED INSIDE DIAMETER.
- 6 12.70[.500] MAXIMUM RECOVERED INSIDE DIAMETER.
- 7 ASSEMBLY WILL PASS 0.0703 KG PER SQ CENTIMETER [ONE POUND PER SQ IN.] WATER PRESSURE TEST.
- 8 121°C [250°F] SHRINK TEMPERATURE.
- 9 -55°C TO 110°C [-67°F TO 230°F] OPERATING TEMPERATURE.
- 10 THIS PART WILL ACCOMODATE $\phi 13.97 - \phi 31.75$ [$\phi .550 - \phi 1.250$] CABLE RANGE.
- 11 NO SEALANT APPLIED.
- 12 ACTUAL SHAPE MAY VARY DUE TO PROCESS VARIANCE.
- 13 OBSOLETE PARTS: OBSOLETE CIS STREAMLINING PER D.RENAUD/D.SINISI
- 14 SEE P/N CHART FOR MARKING. WHITE CHARACTERS .15 MIN HIGH AND LOCATED ON THE OUTSIDE SURFACE OF THE TUBING.
- 15 PRELIMINARY PART - NOT FOR PRODUCTION

15	TE 54012-7	1 3/8-18 UNEF-2B	54012-7
11, 13	NONE	1 7/16-18 UNEF-2B	54012-6
11, 13	NONE	1 3/8-18 UNEF-2B	54012-5
	NONE	1 7/16-18 UNEF-2B	54012-4
13	NONE	1 3/16-18 UNEF-2B	54012-3
	NONE	1 3/8-18 UNEF-2B	54012-1
MARKING		THREAD "A"	PART NUMBER

THIS DRAWING IS A CONTROLLED DOCUMENT.		DWN	C.REIFSNYDER	10 APR 96		TE Connectivity		
DIMENSIONS: INCHES		CHK	R.STONE	15 APR 95		NAME		
TOLERANCES UNLESS OTHERWISE SPECIFIED:		APVD	T.A.WETZEL	03 MAY 96		PRODUCT SPEC		
0 PLC ± - 1 PLC ± - 2 PLC ± - 3 PLC ± - 4 PLC ± - ANGLES ± - FINISH -		APPLICATION SPEC		STRAIN RELIEF ASSY, SHELL SIZE 23, CPC				
MATERIAL		WEIGHT	-		SIZE	CAGE CODE	DRAWING NO	
TUBING: 1		CUSTOMER DRAWING		A2	00779	C=54012	RESTRICTED TO	
SLEEVE: 2		SCALE		2:1	SHEET		1 of 1	
		REV		V3				